

MINI backpack laser cleaning machine





Online cleaning



WiFi control



Small in size



Light and portable



No substrate
damage



Lithium battery
powered



Fast switching
power supply



Specially customized
packaging

Product Features

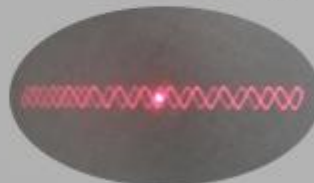
backpack

1

Dual optic beam, with 3 cleaning mode, linear, wave and circle scanning. Cleaning speed is faster and effect better.



Linear scanning



Wave scanning



Circle scanning



2

backpack

Auto focus function, enabling to adjust to the right focal length more quickly.

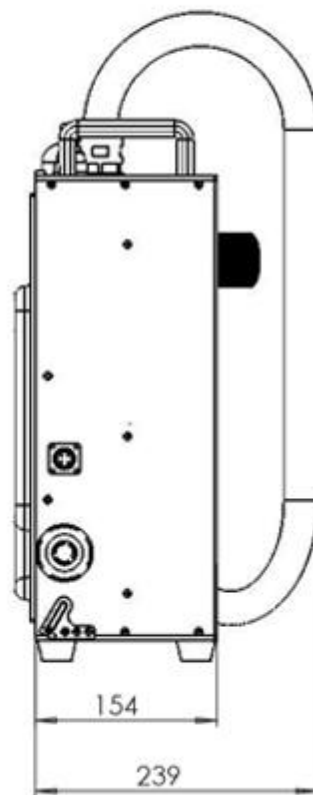
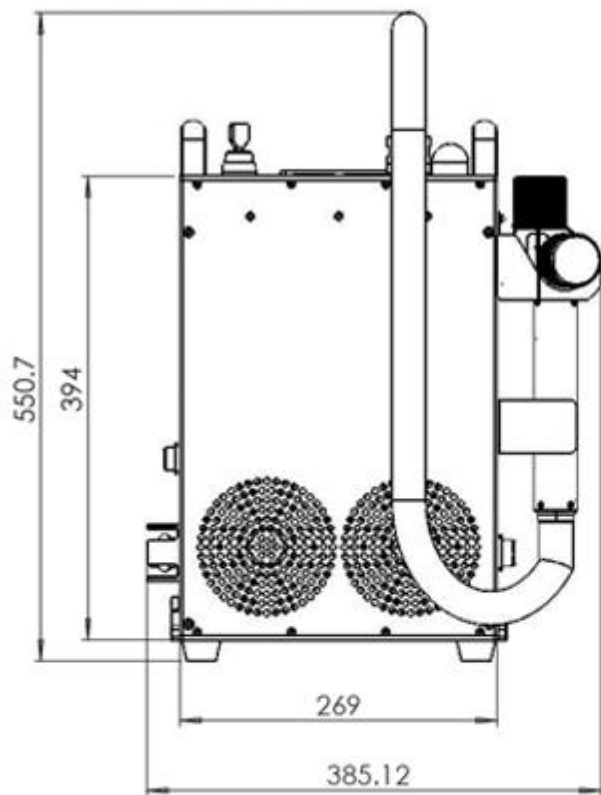
backpack **3**

Aluminum alloy case, less weight,
more fashion and durable.



Product Information

Unit: mm



Technical Parameter

Model	MRJ-FL-C100BP / MRJ-FL-C200BP / MRJ-FL-C300BP
Laser power	100W / 200W / 300W
Laser type	1064nm, pulsed fiber laser
Single pulse energy	1.5 mj
Power supply	100-240V AC power supply
Cooling method	Air cooling
Main host weight	≤18±0.1kg
Clean head weight	0.9±0.15kg
Cleaning modes	10 patterns
Main host size	385mm*269mm*154mm
focal length	F=254 mm
Operating ambient temperature	10~40 °C
Control	Wired screen control
Cable Length	1.5 m
Working temperature	10~40 °C
Storage temperature	-10~60 °C

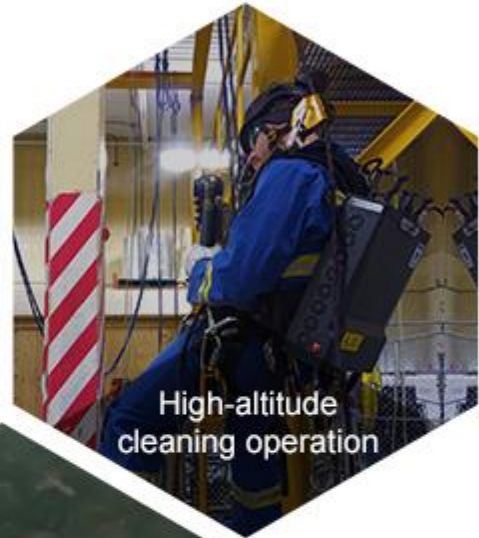
Application Fields



Palace and church
cleaning



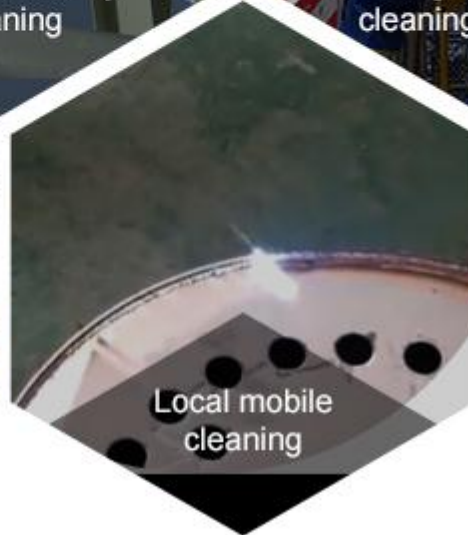
Municipal facility
cleaning



High-altitude
cleaning operation



Outdoor cleaning
operation



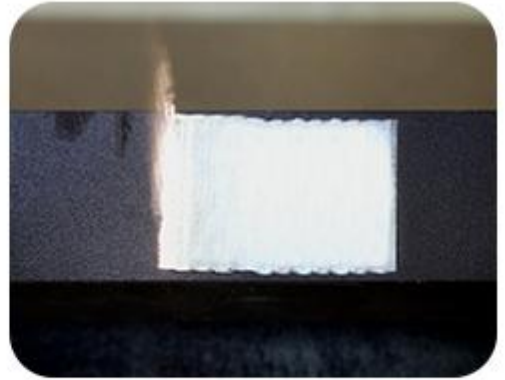
Local mobile
cleaning

Sample Display

Rust Removal



Paint Removal



Oxides Removal



Oil Stain Removal



Mold Cleaning



Weld Seam Cleaning



Stone Cleaning



Wood Cleaning



Company Profile





Certificates

More than 30 patents and inventions



CE



FDA



ISO9001



IEC 60825-1

Certificate - Compliance - CE

Certificate - Compliance - 證明書 - CE